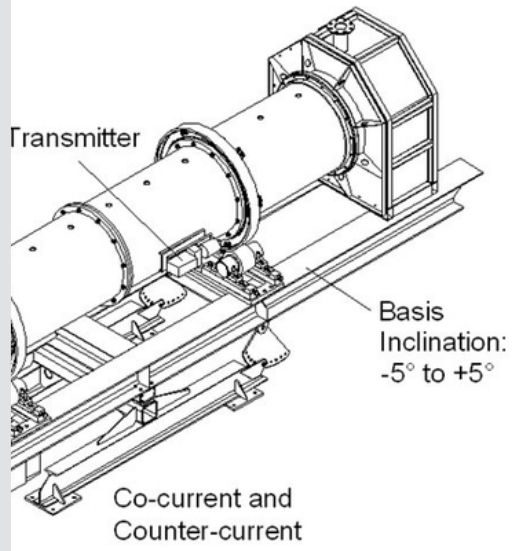




**CHAIR
OF THERMODYNAMICS
AND COMBUSTION**

measured radially and axially continuouslyAt various lengths
Due to a special measuring technology, the measurement data can l
ng into the rotary tube, concentrations can be measured in the gas .
sible .



the gas and the bulk bed can be measured. It is being studied in the bed surface and the heat input.

Through a glass pane at the front, the movement behavior of various material:



Internals

Head of Department ▶

Prof. Dr.-Ing. Ekehard Specht

Building 10 - Room 134

Tel.: 0391 67-58765

Fax: 0391 67-42762

✉ ekehard.specht@ovgu.de

› Portrait & Portfolio

Secretariat ▶

Interested?

Are you interested in our services? Then simply contact

› Prof. Specht directly.

Technology

- ▶ PC and Server Technology of Thermodynamics
- ▶ Pilot Plant Rotary Kilns
- ▶ Thermal Analytical Laboratory
- ▶ Thermal Laboratory
- ▶ Thermography Laboratory